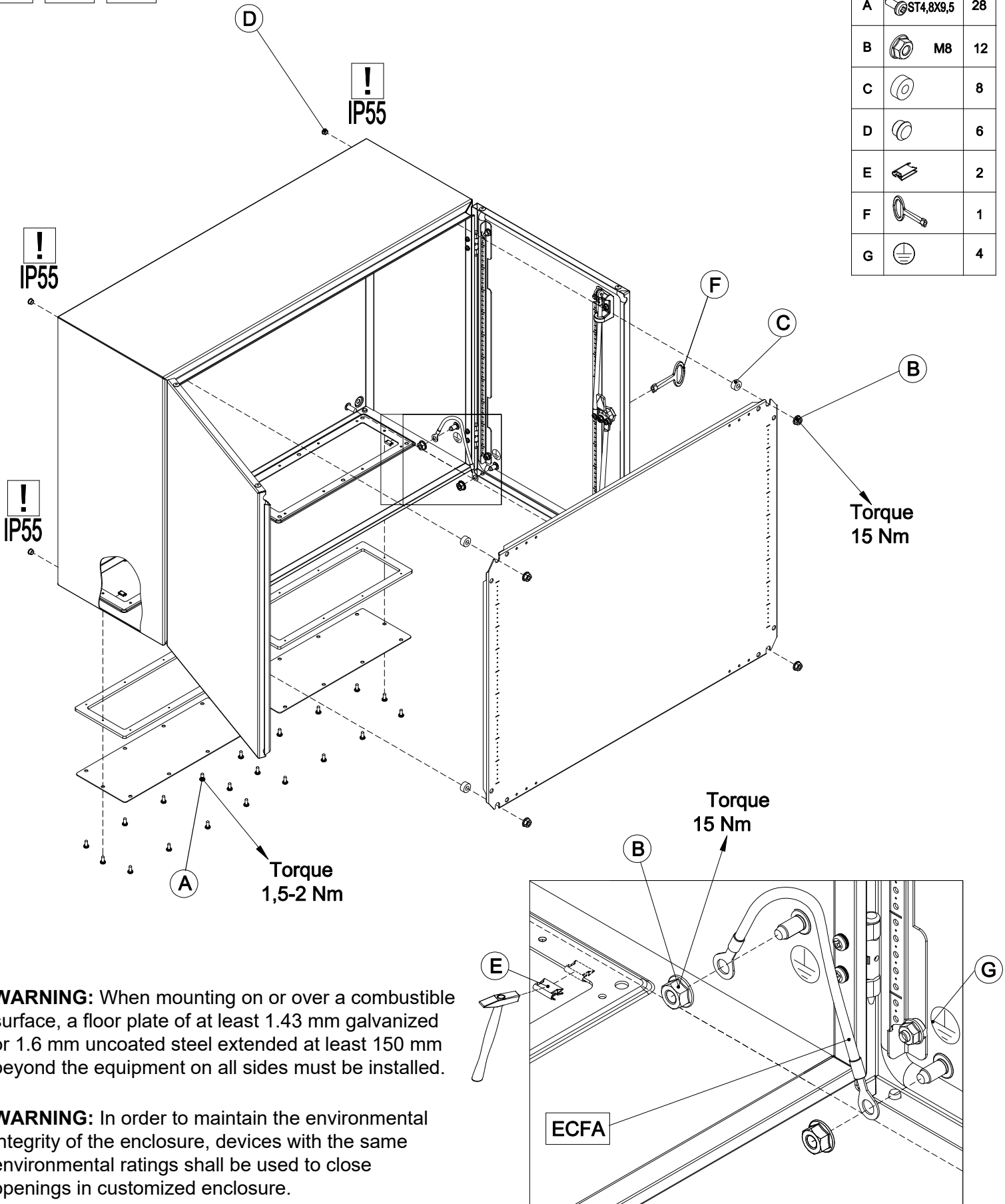


MAD



Ref.	Pic.	Qty.
A	ST4,8X9,5	28
B	M8	12
C		8
D		6
E		2
F		1
G		4



WARNING: When mounting on or over a combustible surface, a floor plate of at least 1.43 mm galvanized or 1.6 mm uncoated steel extended at least 150 mm beyond the equipment on all sides must be installed.

WARNING: In order to maintain the environmental integrity of the enclosure, devices with the same environmental ratings shall be used to close openings in customized enclosure.